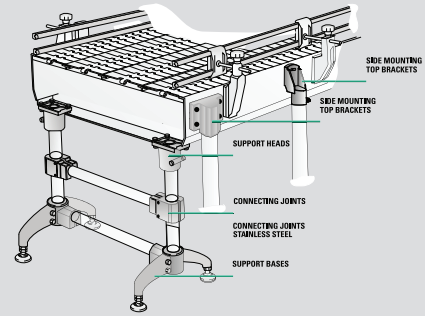




## ALHAN Plastic Conveyor Belt Technical Data Sheet for Applications

Name of the Customer : .....  
 Contact Person : .....  
 Mobile Phone : ..... E-mail : .....



### Technical Information

Industry :			
Application :			
Product Type :			
Conveyor :			
Dimensions of Product :	xW:	mm	xL: mm xH: mm
Product Weight :	kg	kg/mt	kg/mt <sup>2</sup>
Pace of Conveyor :			
Belt Width :	mm		
Belt Length:	mm		
Belt Pitch :	mm		
Min / Max Ambient Temperature:		C /	C /
Chemical Contact :	<input type="checkbox"/> Yes, Type	<input type="checkbox"/> No	
Type of Conveyor :	<input type="checkbox"/> Horizontal <input type="checkbox"/> Spiral	<input type="checkbox"/> Vertical <input type="checkbox"/> Flexible	<input type="checkbox"/> Z Type <input type="checkbox"/> L Type <input type="checkbox"/> Inclined
Color of the Belt :			
Material :	<input type="checkbox"/> PP	<input type="checkbox"/> POM Raw Material	
Pim Material :	<input type="checkbox"/> PP	<input type="checkbox"/> PA	<input type="checkbox"/> SS Raw Material of Pin
Cleat :	<input type="checkbox"/> +	<input type="checkbox"/> -	
Height of Cleats:	mm	Side Spaces :	mm Cleats' Pitch : mm
Diameter of Sprocket, Number of Teeth:	mm / Z		
Bore Round :			

